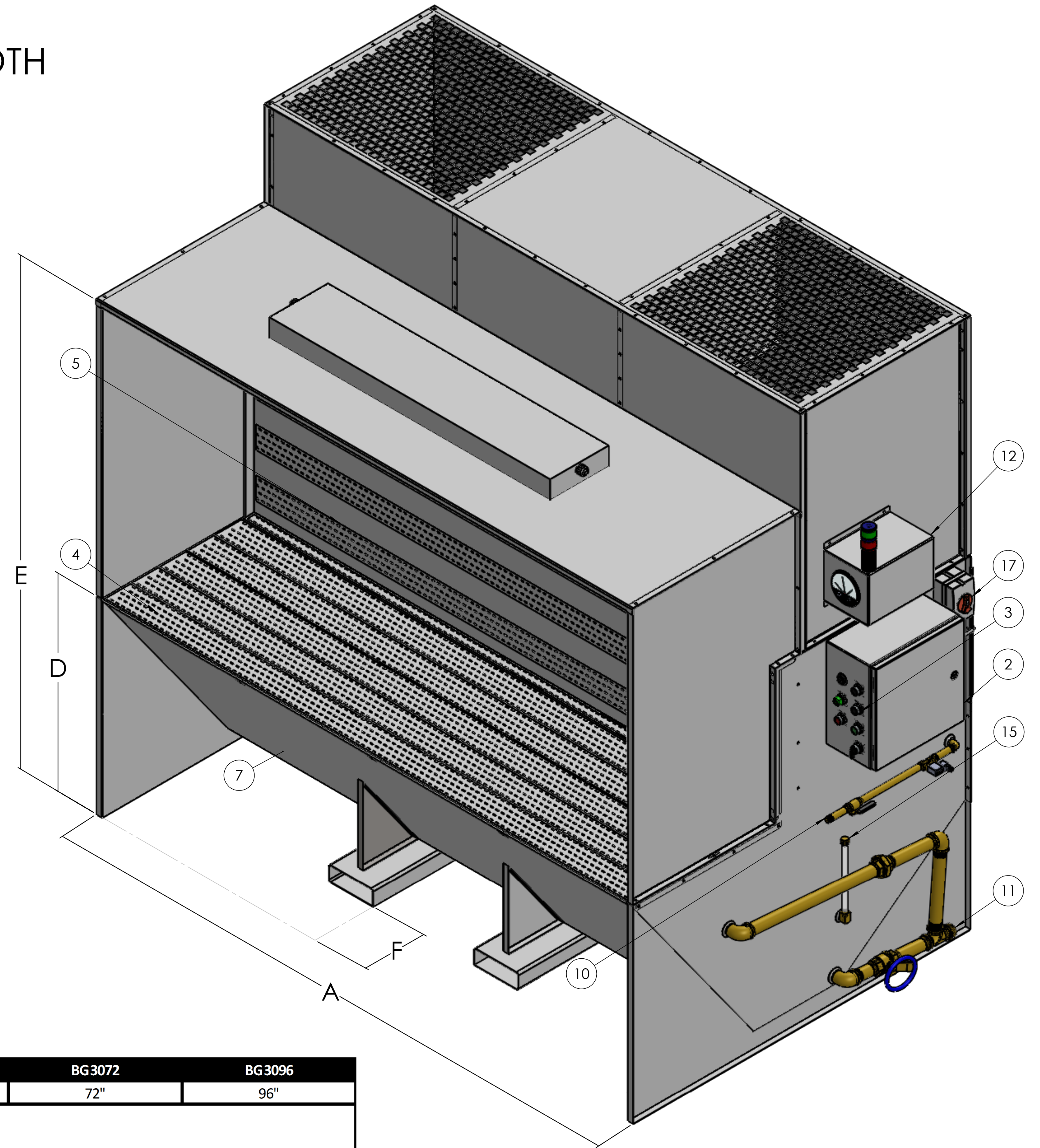
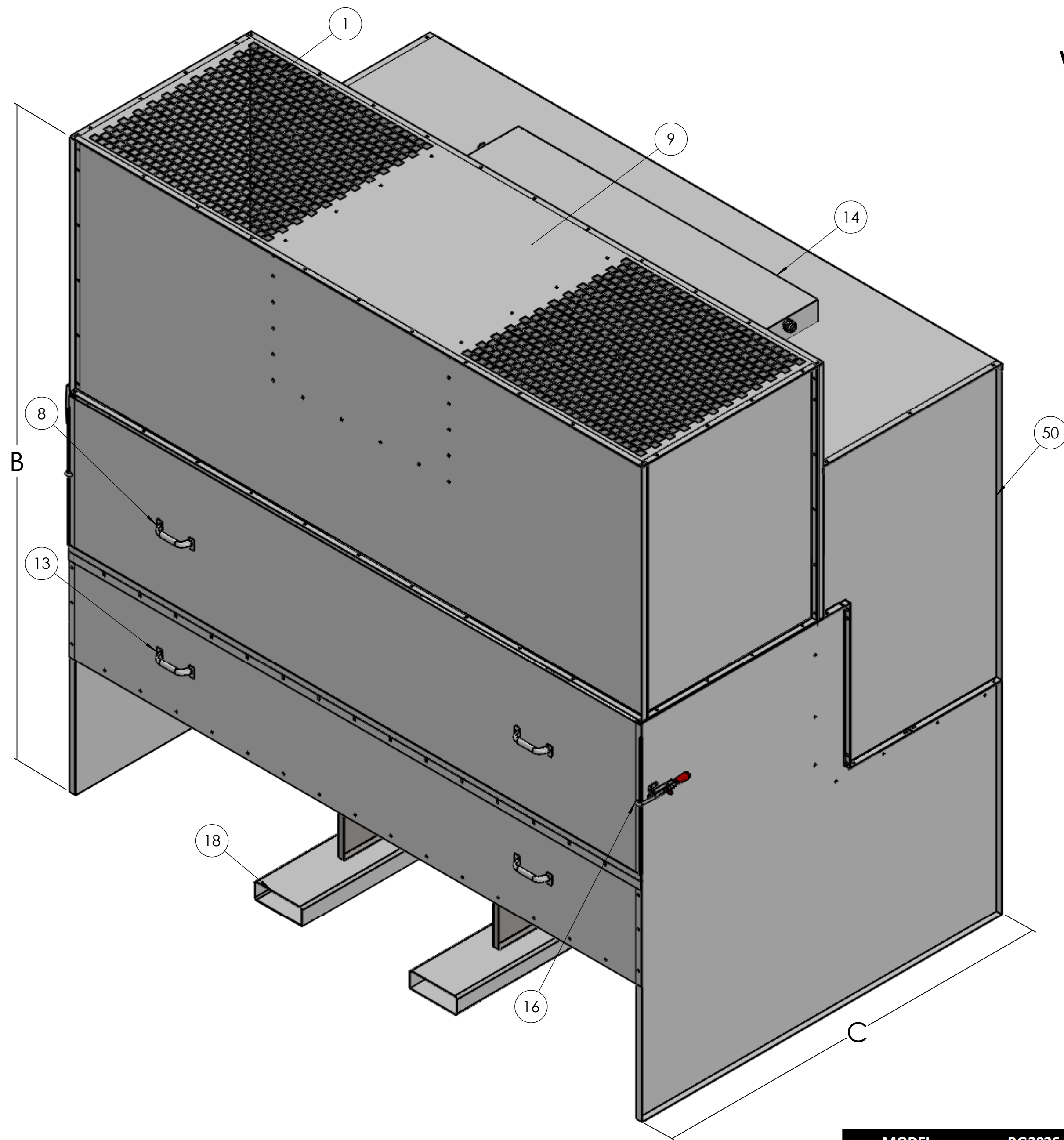


# WET DOWNDRAFT BOOTH



MODEL	BG3036	BG3048	BG3060	BG3072	BG3096
<b>A</b>	36"	48"	60"	72"	96"
<b>B</b>	Total height of the unit is approximately 93"				
<b>C</b>	Total standard depth is 61".				
<b>D</b>	The height from floor to the work surface is 34".				
<b>E</b>	The height from floor to the top of the booth enclosure is 80"				
<b>F</b>	Room for operator's feet and legs is 10" at a minimum to where the two pockets are located				
<b>1</b>	Exhaust port. A minimum 6" from top of unit to roof should be provided.				
<b>2</b>	Control panel. Can be relocated on the left or right side of the unit.				
<b>3</b>	NEMA 12 control panel with push button on/off. Complete with auto-water level control.				
<b>4</b>	Patented perforated downdraft work surface. Comprised of removable C-channel grates.				
<b>5</b>	Patented vented backdraft. Increases capture efficiency of system.				
<b>6</b>	Fixed side and roof panels increases capture efficiency of the unit.				
<b>7</b>	Angled water-tank conveniently sloped for easy sludge removal and maintenance.				
<b>8</b>	Dehumidifier access door. No tools required to remove and access metal mesh dehumidifiers for cleaning.				
<b>9</b>	Motor access panel, removable for trouble shooting and periodic cleaning.				
<b>10</b>	System water supply connection.				
<b>11</b>	Drainage system. Allows for overflow protection and periodic emptying of sump.				
<b>12</b>	Conveniently located photohelic pressure gauge and Hi/Low water alarm system. Indicator for system operating outside normal condition.				
<b>13</b>	Access door for trouble shooting and servicing.				
<b>14</b>	Overhead light to provide maximum visibility of the work area.				
<b>15</b>	Sight glass. Allows operator to monitor water level.				
<b>16</b>	Door clamp. Properly secure dehumidifier access door.				
<b>17</b>	Disconnector switch. Utilized as an electrical isolation for unit power supply.				
<b>18</b>	Fork pockets. Facilitate the movement of the unit by a forklift without concerns for stability or structural integrity				

UNLESS OTHERWISE SPECIFIED:  
 LINEAR DIMENSIONS ARE IN INCHES  
 ANGULAR DIMENSIONS ARE IN DEGREES  
 INFORMATION PROVIDED FOR REFERENCE ONLY

NAME:	DATE:	<b>DUALDRAW</b>
DRAWN: BLAKE	2017-01	
ENG APPR: AKE	2017-01	TITLE:
FINISH: CLIENTS' PREFERENCE	G.A. PRATHER 2017-01	WET DOWNDRAFT BOOTH

PROPRIETARY AND CONFIDENTIAL  
 THE INFORMATION CONTAINED IN THIS DRAWING IS THE SOLE PROPERTY OF DUALDRAW, LLC. ANY REPRODUCTION IN PART OR AS A WHOLE WITHOUT THE WRITTEN PERMISSION OF DUALDRAW, LLC IS PROHIBITED.

**DUALDRAW** SIZE DWG. NO. **D TB SERIES\_WET**  
 SCALE: 1:10 SHEET 1 OF 1