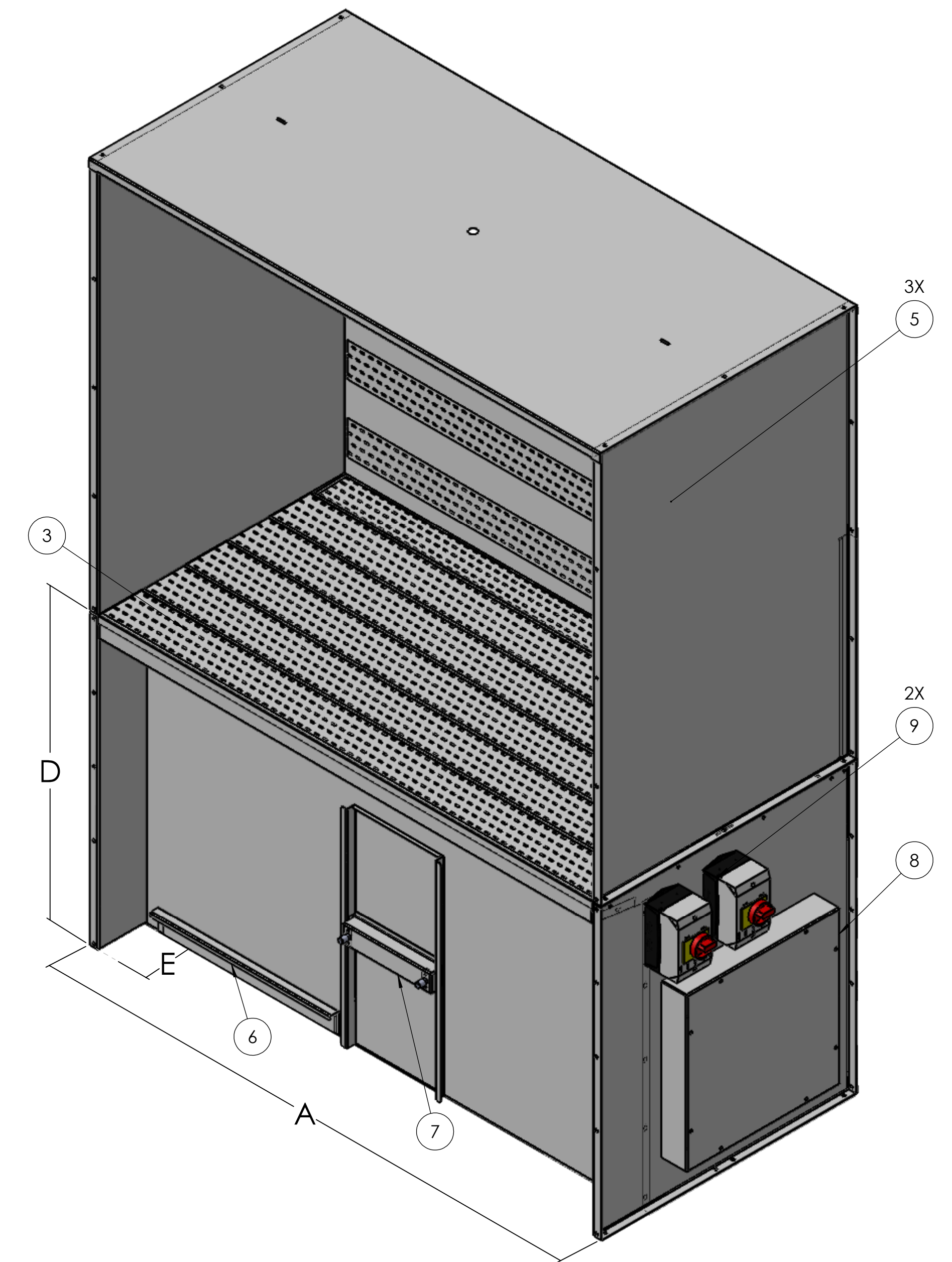
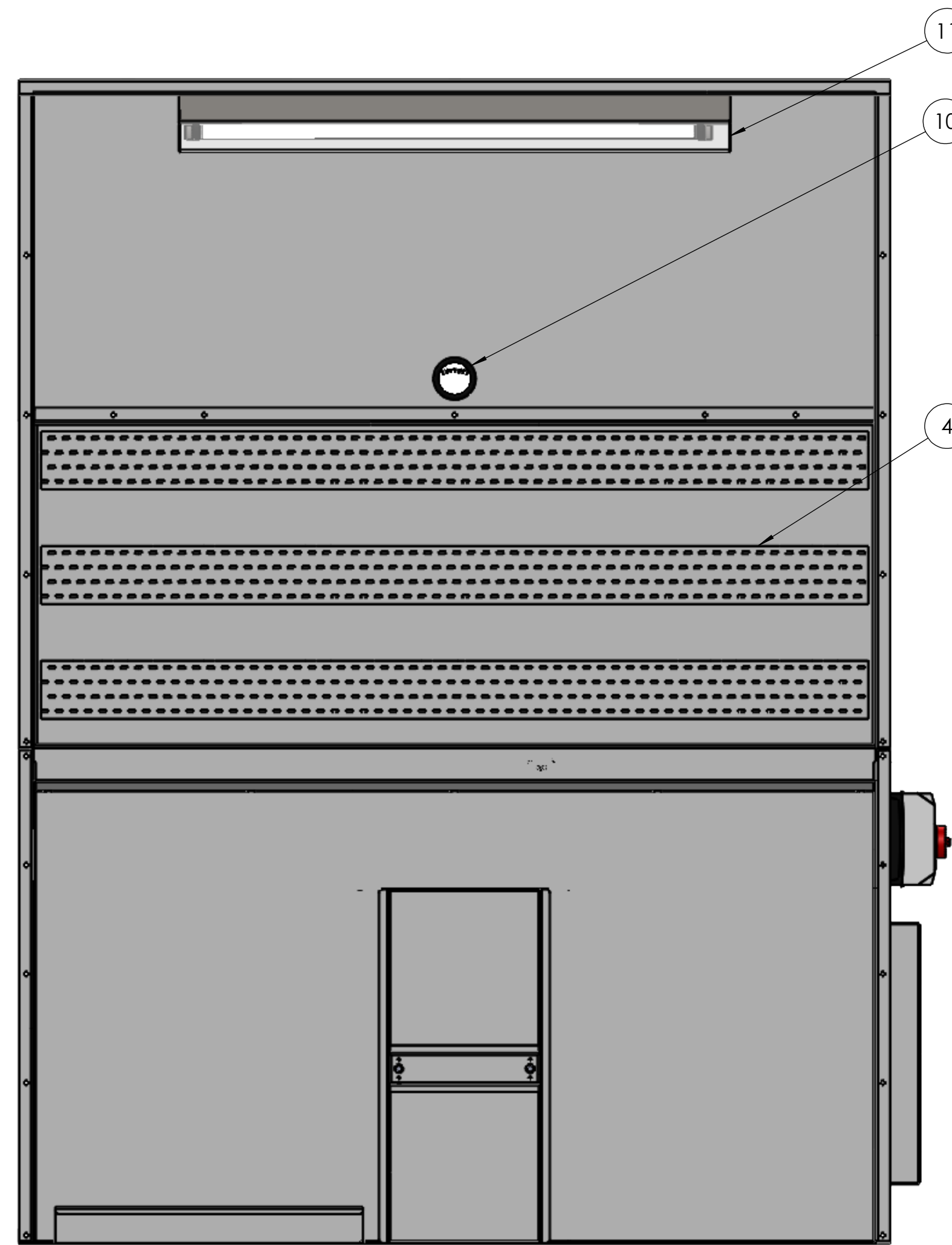
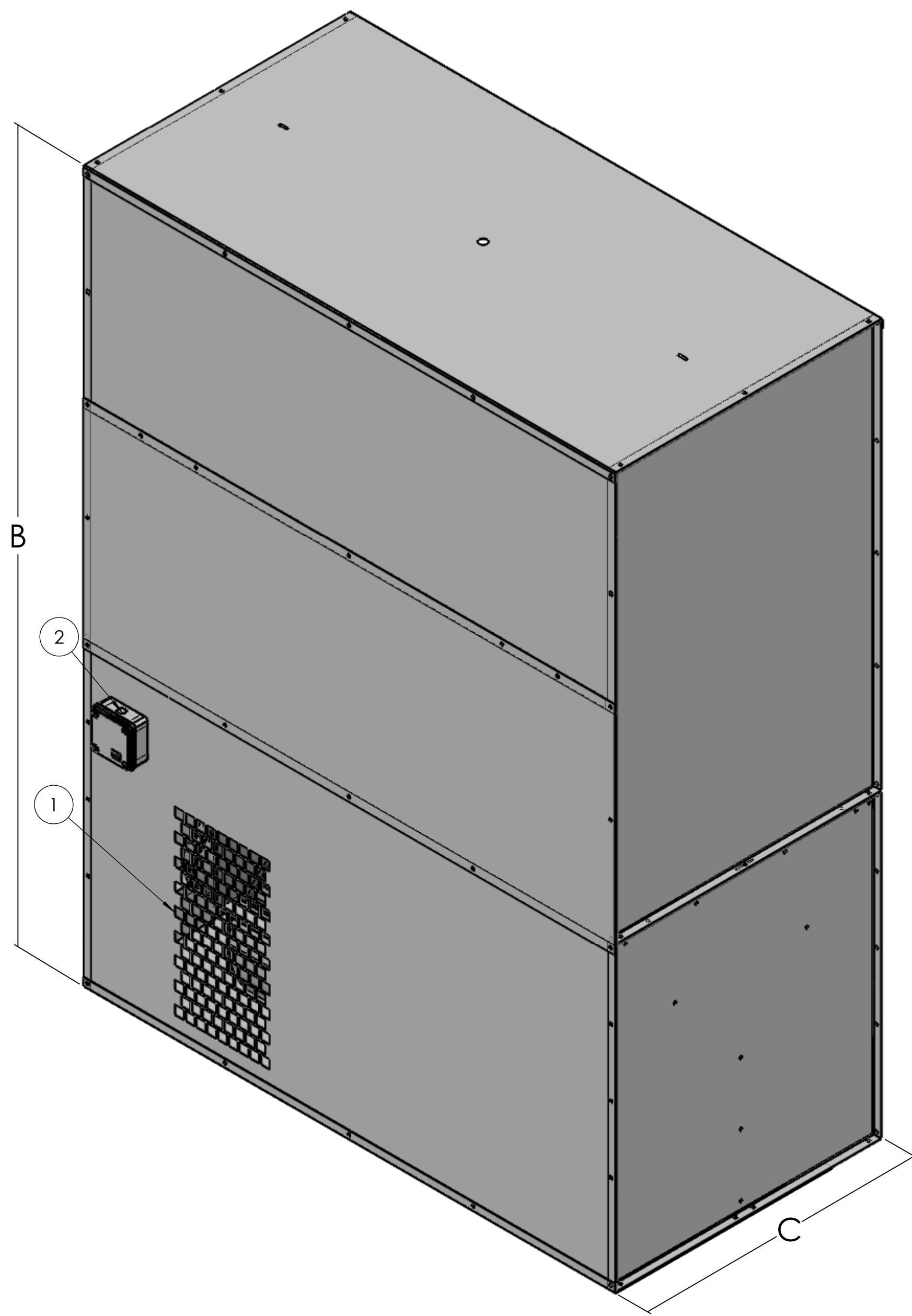


DUALDRAW DOWNDRAFT BOOTH WITH VENTED BACK



| | MODEL | TB3036 | TB3048 | TB3060 | TB3072 | TB3096 |
|------------------|---|---|--------|--------|--------|--------|
| DIMENSION | A | 36" | 48" | 60" | 72" | 96" |
| | B | Total height of the unit is approximately 80" without caster wheels. | | | | |
| | C | Total standard depth is 30". Can be increased in 5" increments upto 50". | | | | |
| | D | The height from unit base to the work surface is 34". Adjustable height options available. | | | | |
| | E | Room for operator's feet and legs is 6" on units with filter door in front, 14" for rear mounted filter systems. | | | | |
| NOTATION | 1 | Exhaust port. A minimum 4" from back of unit to wall should be provided. Scoops available to direct air and quiet blower noise. | | | | |
| | 2 | Power-supply junction box. Can be relocated based on user preference. | | | | |
| | 3 | Patented perforated downdraft work surface. Comprised of removable C-channel grates, reinforced for strength. | | | | |
| | 4 | Patented vented backdraft. Increases capture efficiency of system. | | | | |
| | 5 | Fixed side and roof panels increases capture efficiency of the unit. | | | | |
| | 6 | Removable clean-out tray conveniently located for easy maintenance. | | | | |
| | 7 | Filter access door, shown on front. Rear mount filter housing also available to allow for sit-down operator. No tools required to access filters. | | | | |
| 8 | Motor access panel, removable for trouble shooting and periodic cleaning. | | | | | |
| 9 | Thermally protected motor starter and light switch. Used to control main power of system and lighting. NEMA 12/4X housings. | | | | | |
| 10 | Conveniently located pressure gauge. Indicator for cleanliness of filters. | | | | | |
| 11 | Overhead light to provide maximum visibility of the work area. | | | | | |

UNLESS OTHERWISE SPECIFIED:
 LINEAR DIMENSIONS ARE IN INCHES
 ANGULAR DIMENSIONS ARE IN DEGREES
 INFORMATION PROVIDED FOR REFERENCE ONLY

| | | |
|---|---------------|-----------------|
| NAME: | DATE: | DUALDRAW |
| DRAWN: AKE | 2016-01 | |
| MATERIAL: GALVANIZED / STAINLESS / ALUMINUM | ENG APPR: AKE | 2016-01 |
| FINISH: CLIENTS' PREFERENCE | G.A. PRATHER | 2016-01 |

PROPRIETARY AND CONFIDENTIAL
 THE INFORMATION CONTAINED IN THIS DRAWING IS THE SOLE PROPERTY OF DualDraw, LLC. ANY REPRODUCTION IN PART OR AS A WHOLE WITHOUT THE WRITTEN PERMISSION OF DualDraw, LLC IS PROHIBITED.

DUALDRAW

SIZE DWG. NO. **D TB SERIES_1**

SCALE: 1:8 SHEET 1 OF 1