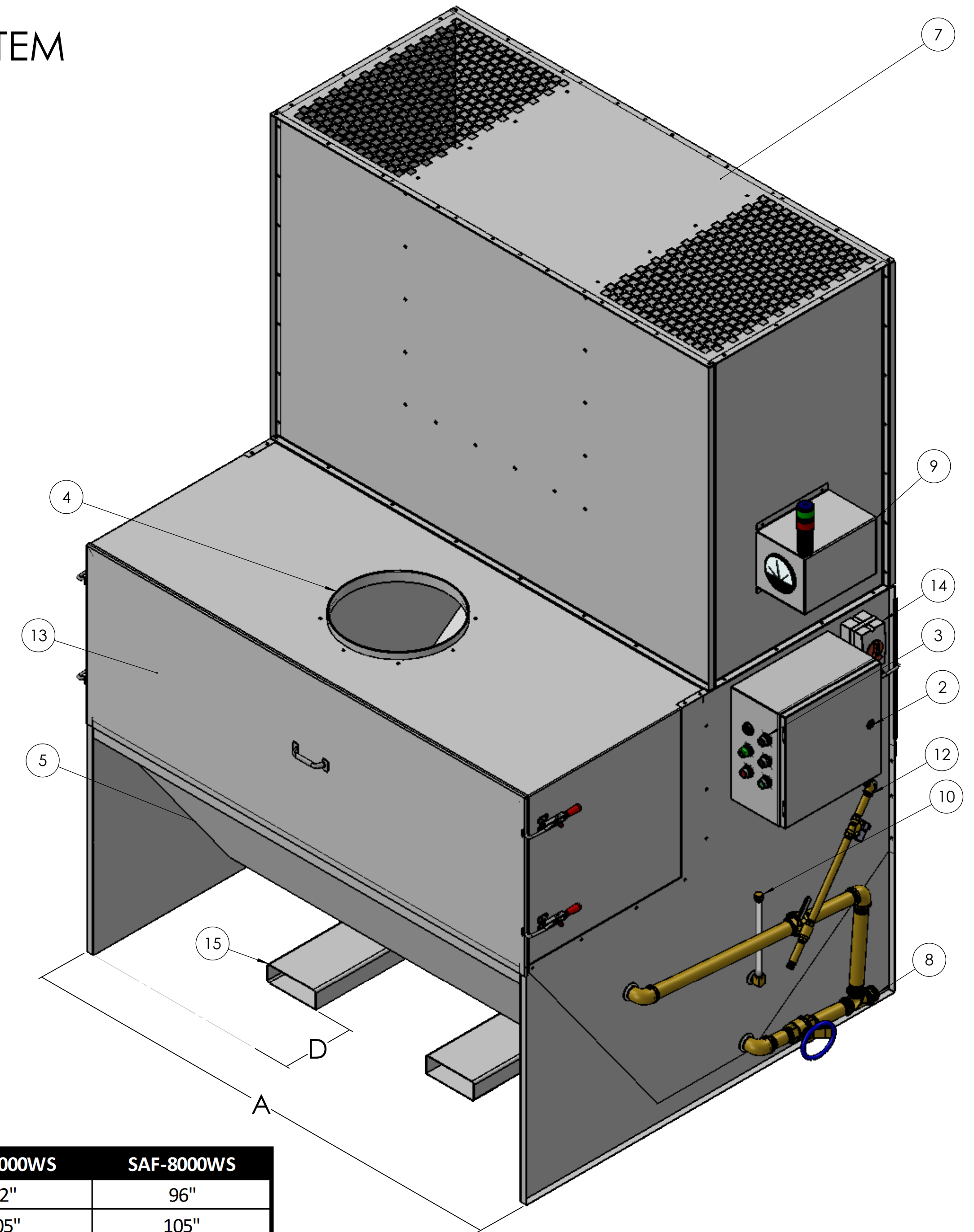
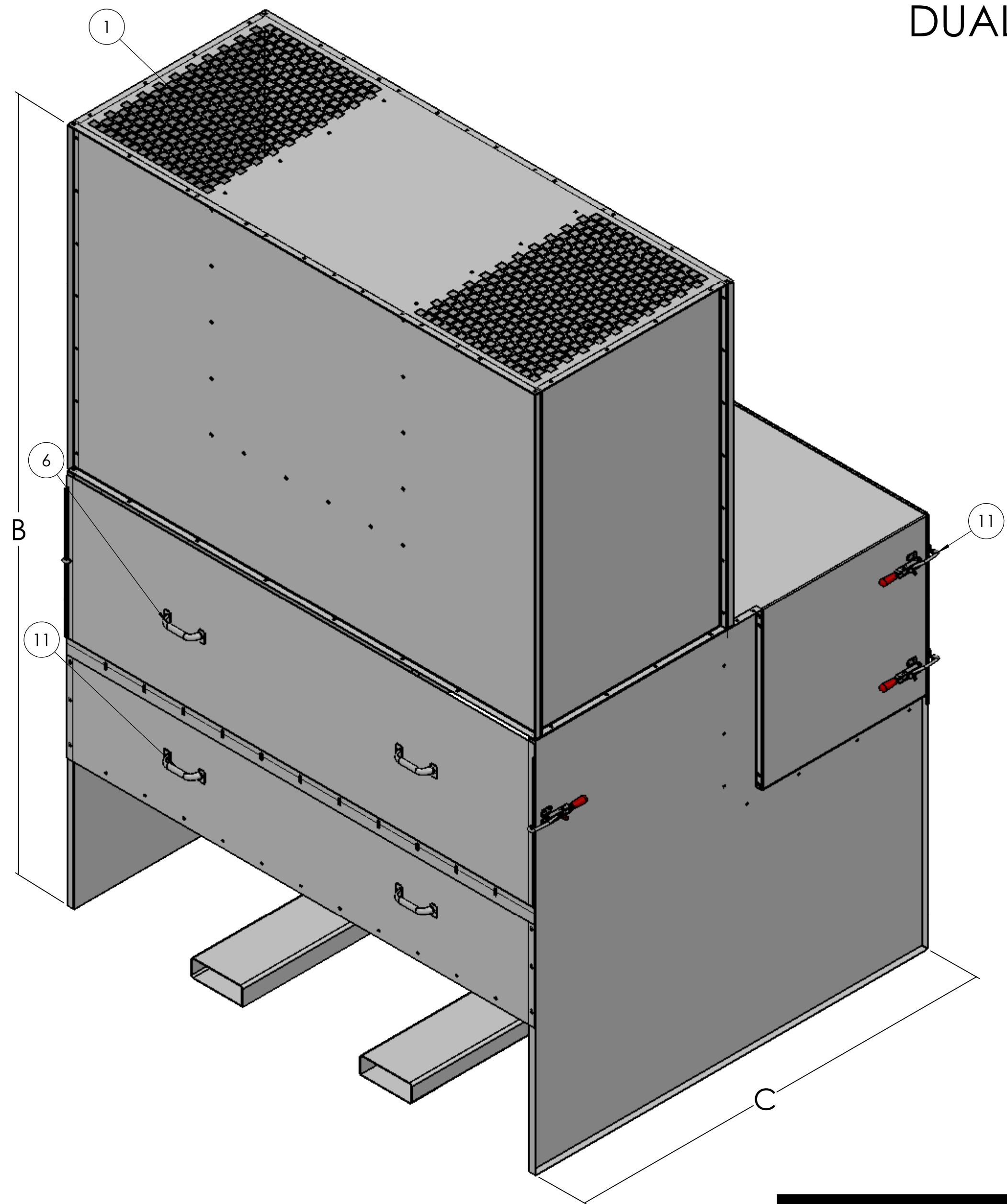


DUALDRAW STAND-ALONE SCRUBBER SYSTEM WITH WATER FILTRATION



MODEL	SAF-500WS	SAF-3000WS	SAF-4000WS	SAF-5000WS	SAF-6000WS	SAF-8000WS
DIMENSION						
A	26"	36"	48"	60"	72"	96"
B	81"	87"	91"	105"	105"	105"
C	42"	54"	61"	61"	61"	61"
D	Room for operator's feet and legs is 10" at a minimum where the two pockets are located					
NOTATION						
1	Exhaust port. A minimum 6" clearance from top of unit to ceiling should be provided.					
2	Control panel. Can be relocated on the left or right side of the unit. Add approximately 10" to width.					
3	NEMA 12 control panel with push button on/off. Complete with auto-water level control and Hi/Low water audible & visual alarm.					
4	Intake flange for duct or extraction arm connection.					
5	Angled water-tank conveniently sloped for easy sludge removal and maintenance.					
6	Dehumidifier access door. No tools required to remove and access metal mesh dehumidifiers for cleaning.					
7	Motor access panel, removable for trouble shooting and periodic cleaning.					
8	Drainage system. Includes overflow and system drain.					
9	Conveniently located photohelic pressure gauge. Controls water level inside unit.					
10	Sight glass. Allows operator to monitor water level.					
11	Door clamp to properly secure dehumidifiers and sump access door.					
12	System water supply connection.					
13	Sump access door. Easily removable for frequent sump cleaning					
14	Electrical disconnect.					
15	Fork pockets. Facilitate the movemet of the unit by a folklift without concerns for stability or structural integrity					

UNLESS OTHERWISE SPECIFIED:
 LINEAR DIMENSIONS ARE IN INCHES
 ANGULAR DIMENSIONS ARE IN DEGREES
 INFORMATION PROVIDED FOR REFERENCE ONLY

NAME:	DATE:	DUALDRAW STAND-ALONE SCRUBBER SYSTEMS WITH WATER FILTRATION SAF SERIES_WET
DRAWN: BLAKE	2017-01	
ENG APPR: AKE	2017-01	
FINISH: CLIENTS' PREFERENCE	G.A. PRATHER 2017-01	TITLE: STAND-ALONE SCRUBBER SYSTEMS WITH WATER FILTRATION DWG. NO. SAF SERIES_WET SCALE: 1:10 SHEET 1 OF 1

PROPRIETARY AND CONFIDENTIAL
 THE INFORMATION CONTAINED IN THIS DRAWING IS THE SOLE PROPERTY OF DualDraw, LLC. ANY REPRODUCTION IN PART OR AS A WHOLE WITHOUT THE WRITTEN PERMISSION OF DualDraw, LLC IS PROHIBITED.