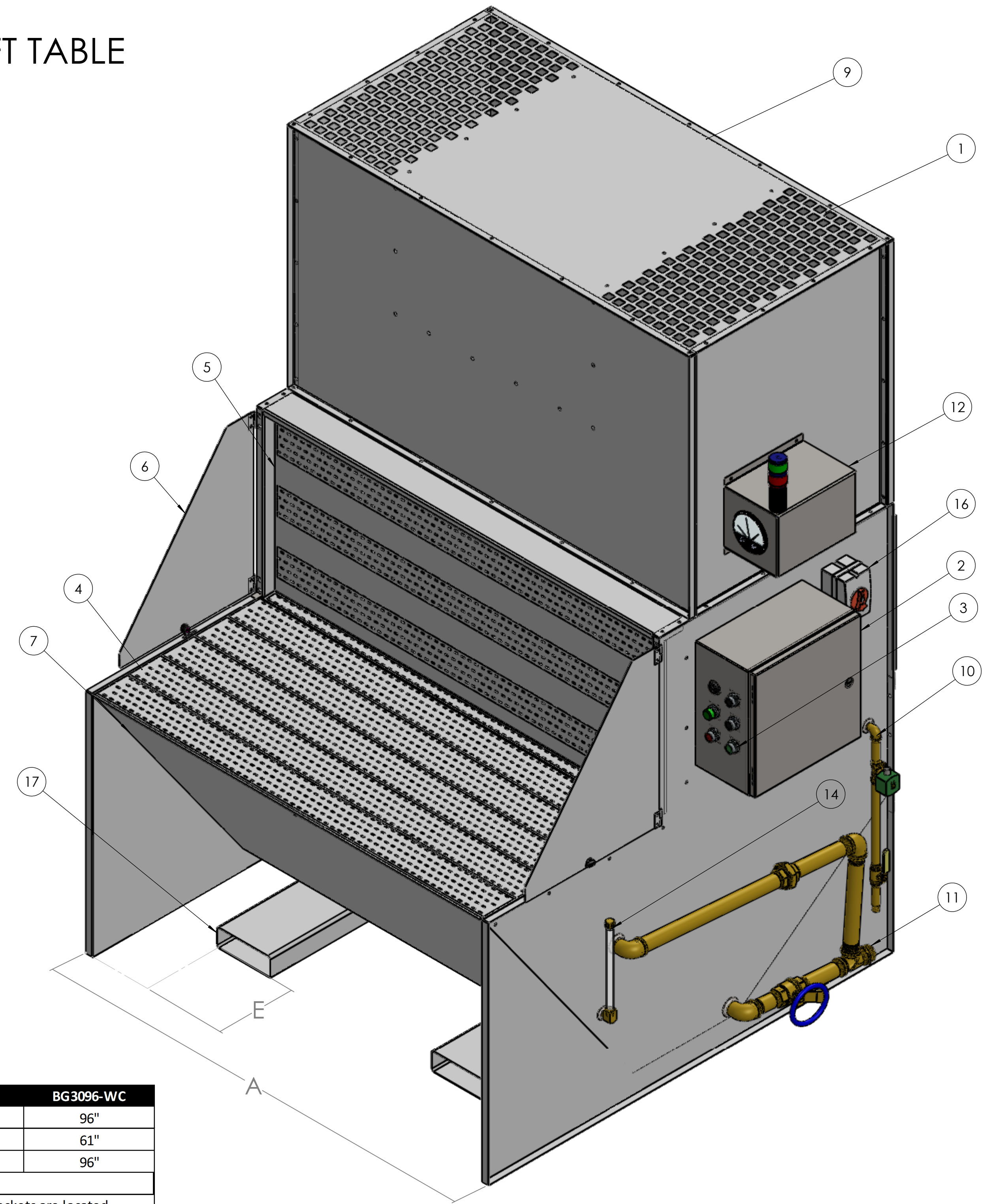
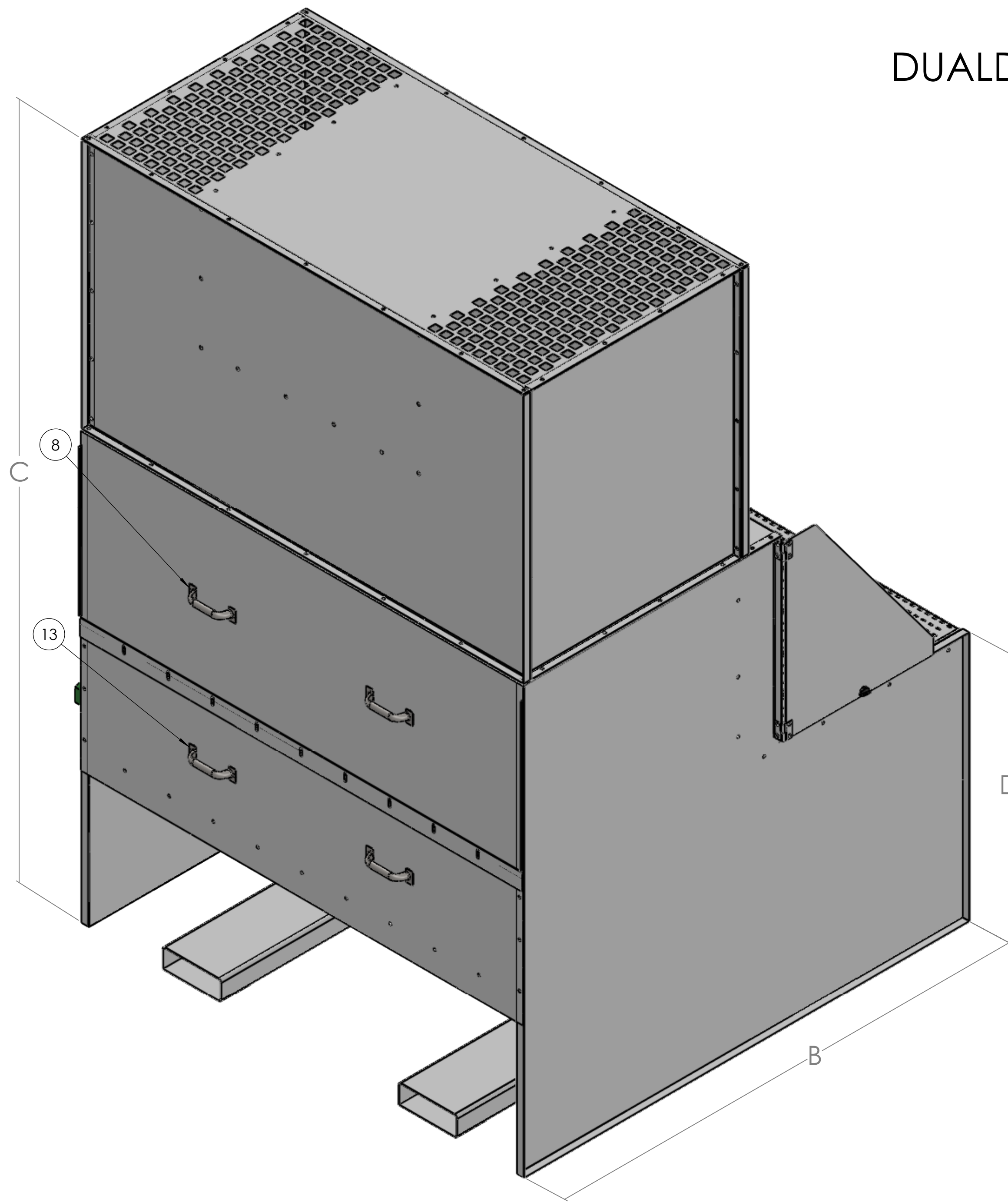


DUALDRAW WET DOWNDRAFT TABLE WITH VENTED BACK



MODEL	BG1826-WC	BG3036-WC	BG3048-WC	BG3060-WC	BG3072-WC	BG3096-WC
A	26"	36"	48"	60"	72"	96"
B	42"	54"	61"	61"	61"	61"
C	80"	87"	91"	93"	93"	96"
D	Height from unit base to the work surface is 34".					
E	6"	Room for operator's feet and legs is 10" at a minimum to where the two pockets are located.				
1	Exhaust port. A minimum 6" from top of unit to roof should be provided.					
2	Control panel. Can be relocated on the left or right side of the unit. Typical width is 10" from side of unit.					
3	NEMA 12 control panel with push button on/off. Auto-water level control, Hi/Low water alarm system.					
4	Patented perforated downdraft work surface. Comprised of removable C-channel grates.					
5	Patented vented backdraft. Increases capture efficiency of system.					
6	Pin-hinged, removable side-wings. Can be opened to accommodate larger parts.					
7	Angled water-tank conveniently sloped for easy sludge removal and maintenance.					
8	Dehumidifier access door. No tools required to remove and access metal mesh dehumidifiers for cleaning.					
9	Motor access panel, removable for trouble shooting and periodic cleaning.					
10	System water supply connection.					
11	Overflow and system drains.					
12	Conveniently located photohelic pressure gauge and Hi/Low water alarm system. Indicator for system operating outside normal condition.					
13	Access door for trouble shooting and servicing.					
14	Sight glass. Allows operator to monitor water level.					
15	Disconnect switch. Utilized as an electrical isolation for unit power supply.					
16	Fork pockets. Facilitate the movement of the unit by a forklift without concerns for stability or structural integrity.					

UNLESS OTHERWISE SPECIFIED:
 LINEAR DIMENSIONS ARE IN INCHES
 ANGULAR DIMENSIONS ARE IN DEGREES
 INFORMATION PROVIDED FOR REFERENCE ONLY

MATERIAL:	STAINLESS STEEL	FINISH:	CLIENTS' PREFERENCE
PROPRIETARY AND CONFIDENTIAL	THE INFORMATION CONTAINED IN THIS DRAWING IS THE SOLE PROPERTY OF DualDraw, LLC. ANY REPRODUCTION IN PART OR AS A WHOLE WITHOUT THE WRITTEN PERMISSION OF DualDraw, LLC IS PROHIBITED.		

NAME:	DATE:	DUALDRAW TITLE: WET DOWNDRAFT TABLE WITH VENTED BACK SIZE DWG. NO. D BG SERIES_WC SCALE: 1:8 SHEET 1 OF 1
DRAWN: BLAKE	2017-01	
ENG APPR: AKE	2017-01	